

# RAPID AUTO ROLL DOOR

## Series RL3000S

*doors with intelligence*

Another product from the ZAMTAS range

The Series RL3000S Rapid Auto Roll Door is a new model for ZAMTAS, incorporating a new budget design for applications, with a simplified PLC control. It is a reliable and durable door, yet providing a simplicity that allows non specialist installation. Many options are available as listed overleaf.

### Ideal for . . .

Process Rooms

Warehouses

Coolrooms

Cleanrooms

Carwashes

Workshops

Hospitals

Supermarkets



Custom-made to suit your application

[www.zamtas.com.au](http://www.zamtas.com.au)

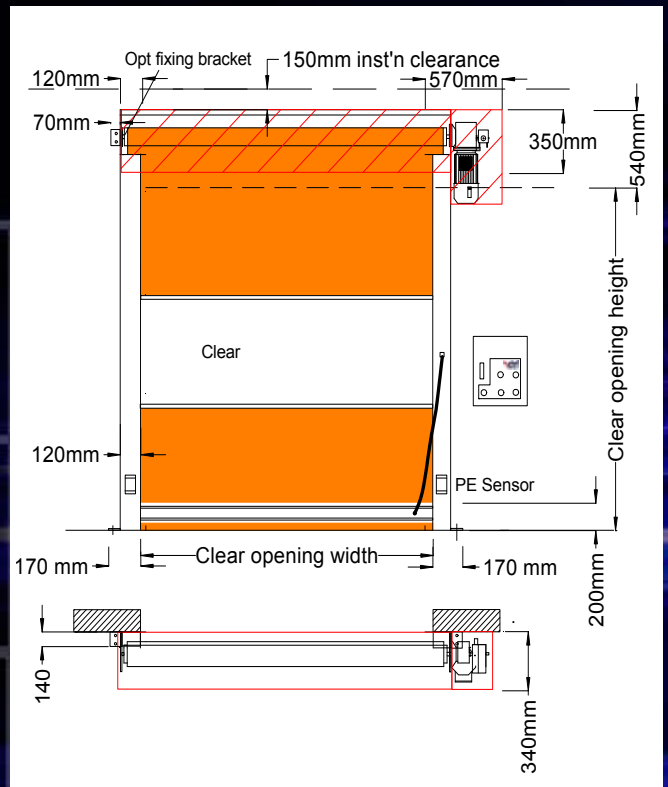
ZAMTAS International has been creating only the best climate control door systems for the Australian and export markets. The RL3000S RAPID ROLL DOOR continues this great tradition.

**ZAMTAS**

INTERNATIONAL

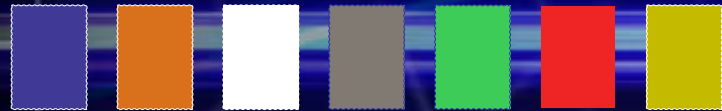
# MORE DETAIL TO EVALUATE YOUR SELECTION

- Door speeds up to 1.5m/sec
- Sizes up to 5mH x 5mW at 1.2m/sec
- Options up to 9mH x 9mW with slower speeds
- Durable reinforced 900gsm PVC panel
- Windbars to resist air pressure
- Powdercoated steel columns and roller cover
- Brush seals
- Single phase PLC programmable controller
- Soft start / stop and variable speed control
- Safety features, including in-line PE beam, and pressure sensitive bottom rail.
- Low maintenance
- Many forms of activation
  - Pushbuttons
  - Pullcords
  - Motion sensors
  - Induction floor loops
  - Remote control
  - Photo eye beams
  - Swipe cards and integration



## OPTIONS . . . .

- Many panel colours to select from
- Ventilation panels available
- Full width clear window
- Interlocking between up to 3 doors
- Roller dust covers
- Battery backup
- Powdercoated colour
- Stainless steel construction



[www.zamtas.com.au](http://www.zamtas.com.au)

ZAMTAS has a range of doors to assist in the control of temperature, dust, vermin and security, in areas such as food processing, warehousing, packaging, coolrooms and freezers.

*doors with intelligence*

ZAMTAS INTERNATIONAL PTY LTD AUSTRALIA  
 Unit 5, 16-28 Martha street, Clyde, NSW-2142.  
 PH: 02 9682 6224 FAX: 02 9682 3308  
 web: [www.zamtas.com.au](http://www.zamtas.com.au)